

- Forged or casted body and cover
- Pressure seal design
- Guided disc of the lift check valve pressed with spring on the body seat (Lift type)
- Seating surfaces made from stainless steel or Stellite

APPLICATIONS

- Power plant
- Chemical
- Petrochemical
- Refining

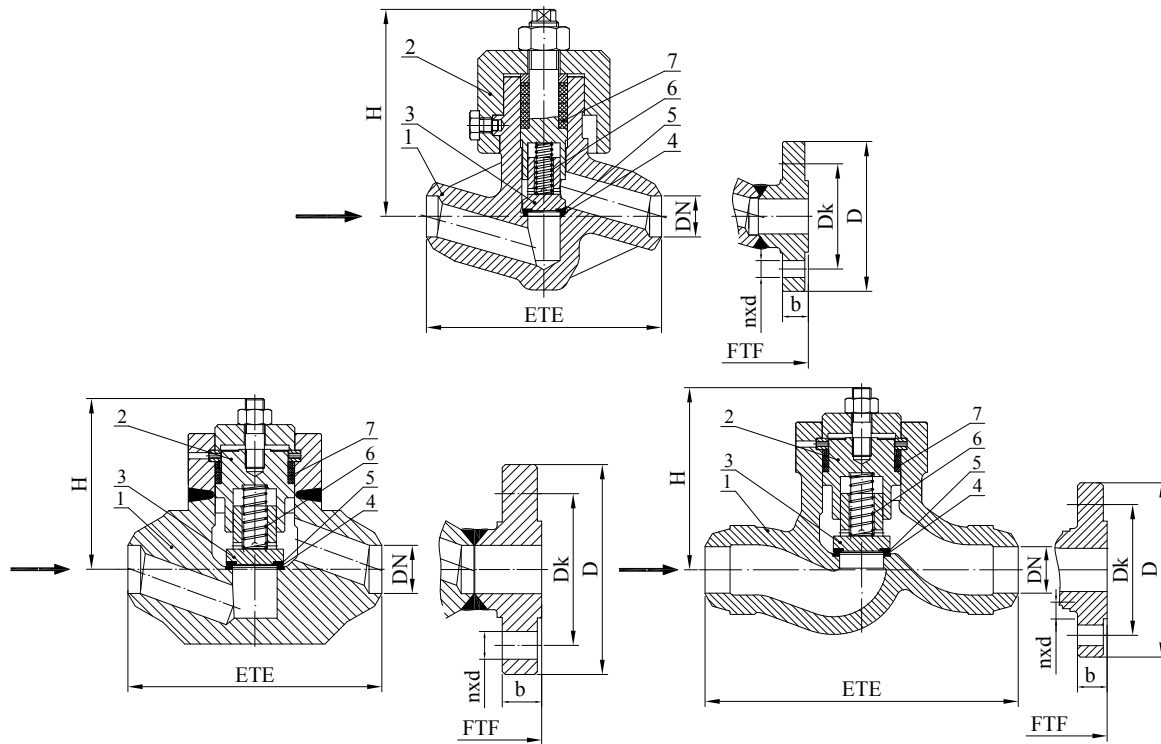
ADVANTAGES

- Possibility of installation in any position
- Long service life
- Respect to emission standards
- Easy handling and maintenance



TECHNICAL DATA

Media:	Depending on the valve materials: water, steam, gas, oil and oil derivatives and other non aggressive media
Pressure and temperature:	Pressures up to 500 bar Class 1500 up to Class 2500 Temperature up to 600 °C
Materials:	Carbon and heat resistant alloy steels
Options:	Flanges and welding ends according to: ASME, DIN, EN, GOST, etc. Seats and sealing made of elastic materials Other paint finishes are available upon customer's request Valve complete with counter flanges, bolting and gaskets
Testing:	Every produced Check Valve was tested according to API 598 and EN 12266



LIST OF MATERIALS

Item	Part	Material Group acc. to EN 12516-1 and ASME B16.34				
		3E0 (1.1)	4E0 (1.5 a 1.3)	5E0 (1.17 a 1.9)	6E0 (1.10)	9E1 a 1C15 (1.15)
		Application				
		up to 400 °C (-29 °C ÷ 425 °C)	up to 550 °C (-29 °C ÷ 470 °C)	up to 550 °C (-29 °C ÷ 595 °C)	up to 600 °C (-29 °C ÷ 595 °C)	up to 600 °C (-29 °C ÷ 600 °C)
1	Body ¹⁾	1.0460 / 1.0619 (A105 / WCB)	1.5415 / 1.5419 (F1 / WC1)	1.7335 / 1.7357 (F12 Cl.2 / WC6)	1.7383 / 1.7379 (F22 Cl.3 / WC9)	1.4903 / C12A (F91 / C12A)
2	Cover ¹⁾	1.0460 / 1.0619 (A105 / WCB)	1.5415 / 1.5419 (F1 / WC1)	1.7335 / 1.7357 (F12 Cl.2 / WC6)	1.7383 / 1.7379 (F22 Cl.3 / WC9)	1.4903 (F91 / C12A)
3	Disc	1.4021 / 1.4122				
4	Body welded on with	17Cr (up to 450 °C) or Stellite				
5	Disc welded on with	17Cr (up to 450 °C) or Stellite				
6	Spring	45CrMoV6-7				
7	Cover gasket	graphite with corrosion inhibitor				

¹⁾ other materials available according to EN standard and according to ASTM standards

STANDARDS

High Pressure Globe Lift Check	PN 250 – 500 and Class 1500 – 2500
Face-to-face (FTF) and End-to-end (ETE) dimension acc. to	ASME B16.10 and Manufacturer standard
Flanged ends according to	EN 1092-1 or ASME B16.5
Welding ends according to	EN 12627 or ASME B16.25

[CHPL] DIMENSIONS PN 250

DN		10	15	20	25	32	40	50	65	80	100	125	150	200
[mm]	FTF	110	160	160	160	210	260	300	350	400	450	600	600	750
	ETE	210	230	⁽²⁾	260	⁽²⁾	300	350	400	450	520	600	700	800
	D	125	130	-	150	-	185	200	230	255	300	340	390	485
	Dk	85	90	-	105	-	135	150	180	200	235	275	320	400
	nxd	4×18	4×18	-	4×22	-	4×26	8×26	8×26	8×30	8×33	12×33	12×36	12×42
	b	24	26	-	28	-	34	38	42	46	54	60	68	82
	H	120	140	140	165	185	201	225	240	300	350	465	465	620
kg	FTF	1,1	3,5	3,5	4,5	7	10	19	45	116	187	523	523	743
	ETE	4,2	7	⁽²⁾	9	⁽²⁾	19	30	62	138	222	574	602	888

[CHPL] DIMENSIONS PN 320

DN		10	15	20	25	32	40	50	65	80	100	125	150	200
[mm]	FTF	110	160	160	160	210	260	300	350	400	450	600	600	750
	ETE	210	230	(2)	260	(2)	300	350	400	450	520	600	700	800
	D	125	130	-	160	-	195	210	255	275	335	380	425	525
	Dk	85	90	-	115	-	145	160	200	220	265	310	350	440
	nxd	4×18	4×18	-	4×22	-	4×26	8×26	8×30	8×30	8×36	12×36	12×39	16×42
	b	24	26	-	34	-	38	42	51	55	65	75	84	103
	H	120	140	140	165	185	201	225	240	300	350	465	465	620
kg	FTF	1,1	3,5	3,5	4,5	7	10	19	45	116	187	523	523	743
	ETE	4,2	7	(2)	11	(2)	21	33	48	149	243	606	644	969

[CHPL] DIMENSIONS PN 400

DN		10	15	20	25	32	40	50	65	80	100	125	150	200
[mm]	FTF	110	160	160	160	210	260	300	350	400	450	600	600	750
	ETE	210	230	(2)	260	(2)	300	350	400	450	520	600	700	800
	D	125	145	-	180	-	220	235	290	305	370	415	475	585
	Dk	85	100	-	130	-	165	180	225	240	295	340	390	490
	nxd	4×18	4×22	-	4×26	-	4×30	8×30	8×33	8×33	8×39	12×39	12×42	16×48
	b	24	30	-	38	-	48	52	64	68	80	92	105	103
	H	120	140	140	165	185	201	225	240	300	350	465	465	620
kg	FTF	1,1	3,5	3,5	4,5	7	10	19	45	116	187	523	523	743
	ETE	4,5	8	(2)	14	(2)	29	41	87	166	276	647	714	1084

[CHPL] DIMENSIONS PN 500

DN		10	15	20	25	32	40	50	65	80	100
[mm]	ETE	160	160	160	160	260	260	300	350	400	450
	H	140	140	165	165	201	201	225	240	300	350
kg	ETE	3,5	3,5	4,5	4,5	10	10	19	45	116	743

[CHPL] DIMENSIONS CLASS 1500

DN		15	20	25	32	40	50	65	80	100	125	150	200	250
[mm]	FTF	160	160	160	210	210	216	254	305	406	483	559	711	864
	ETE	216	229	254	279	305	368	419	470	546	673	705	832	991
	D	120	130	150	160	180	215	245	265	310	375	395	485	585
	Dk	82,6	88,9	101,6	111,1	123,8	165,1	190,5	203,2	241,3	292,1	317,5	393,7	482,6
	nxd	4×22,2	4×22,2	4×25,4	4×25,4	4×28,6	8×25,4	8×28,6	8×31,7	8×34,9	8×41,3	12×38,1	12×44,5	12×50,8
	b	29,3	32,4	35,6	35,6	38,8	45,1	48,3	54,7	61,0	80,1	89,6	99,1	115,0
	H	140	140	165	185	185	212	260	310	375	420	465	620	680
kg	FTF	3,5	3,5	4,5	7	7	13	37	53	112	172	248	442	627
	ETE	6	7,5	10	12	15	28	59	81	152	249	340	600	896

[CHPL] DIMENSIONS CLASS 2500

DN		15	20	25	32	40	50	65	80	100	125	150	200	250
[mm]	FTF	160	160	160	210	260	279	330	368	457	533	610	762	914
	ETE	264	273	308	349	384	451	508	578	673	794	914	1 022	1 270
	D	135	140	160	185	205	235	265	305	355	420	485	550	675
	Dk	88,9	95,2	108,0	130,2	146,0	171,4	196,8	228,6	273,0	323,8	268,3	438,2	539,8
	nxd	4×22,2	4×22,2	4×25,4	4×28,6	4×31,8	8×28,6	8×31,8	8×34,9	8×41,3	8×47,1	8×54,0	12×54,0	12×66,7
	b	37,2	38,8	42,0	45,1	51,5	57,9	64,2	73,7	83,2	99,1	115,0	134,0	172,1
	H	140	140	165	165	201	230	290	345	413	483	535	713	782
kg	FTF	3,5	3,5	4,5	7	10	25	52	64	127	189	271	474	690
	ETE	8	9	12	18	27	48	84	121	213	336	497	818	1 330

