



- cast iron body, wafer type
- stainless steel dual-wing plate and spring
- soft sealing
- automatic operating

APPLICATION

- distribution, treatment and purification of water
- heating and air conditioning
- irrigation



ADVANTAGES

- prevention of backflow in pipe
- short face to face
- low pressure drop
- easy installation
- maintenance-free operation

TECHNICAL DATA

Working range:	water and other non-aggressive fluids, max. working pressure 1 MPa/ 1,6 MPa, working temperature is depending on the sealing material: NBR -10 °C to +80 °C
Face to face:	EN 558-1, serie 16
Connection into piping:	between flanges according to EN 1092-1, B1 / DIN PN 10/16
	The stem must be in a vertical position, both wings of plate must be open downstream in a horizontal pipe The stem in a horizontal position, both wings of the plate must be open downstream and working medium must flow upwards in a vertical pipe.
Testing:	check valves are tested according to EN 12266, P10, P11, P1 and supplied with accompanying documentation according to EN 10204
Other options:	sealing material EPDM (-10 °C to 120 °C) or VITON (-10 °C to 150 °C) or SILICONE (-10° C to 180° C)

DESIGN AND CONSTRUCTION MATERIALS

Fig.1

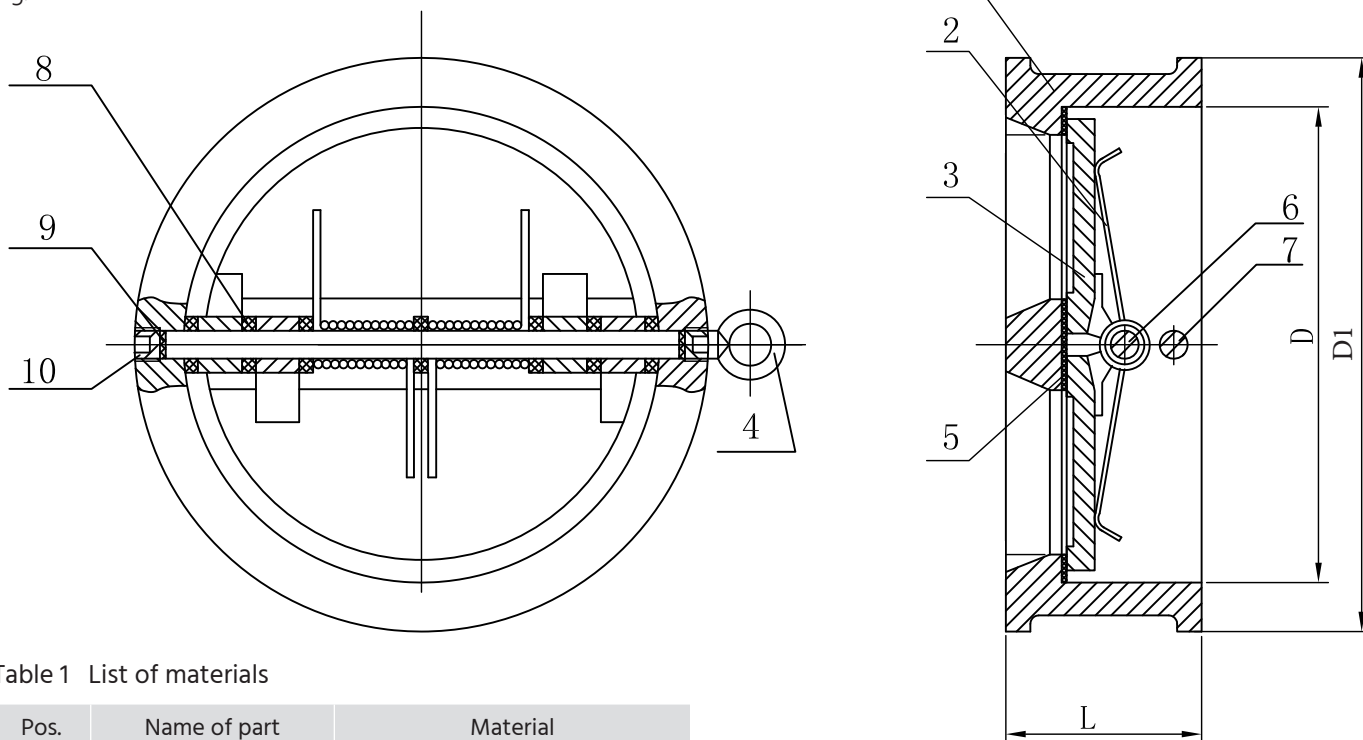


Table 1 List of materials

Pos.	Name of part	Material
1	Body	EN GJL-250
2	Spring	AISI 304
3	Plate	A351 CF8
4	Handling eye	Carbon steel
5	Sealing	NBR
6	Stem1	AISI 304
7	Stem 2	AISI 304
8	Washer	PTFE
9	Sealing	NBR
10	Plug	Carbon steel

Table 2 Main dimensions (in mm)

DN	L	D	D1		weight (kg)
			PN10	PN16	
50	43	65	107		1,5
65	46	80	127		2
80	64	94	142		3
100	64	117	162		4,5
125	70	145	192		6,5
150	76	170	218		9
200	89	224	273		14,5
250	114	265	328	329	24,5
300	114	312	378	384	35,5

The data in the catalog sheet are for information only and the manufacturer reserves the right to make technical changes.